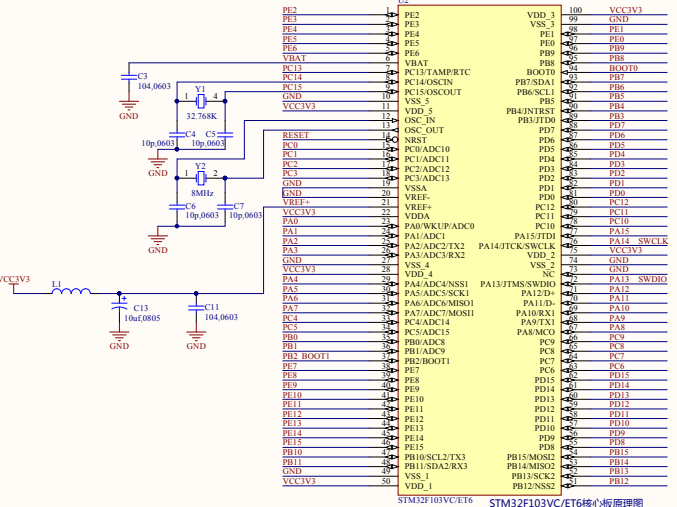
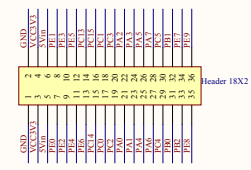
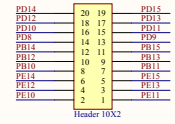


源地址<http://vcc-gnd.taobao.com/>



STM32F103VCT6 STM32F103VCT6核心板原理图

源地址[www.vcc-gnd.com](http://www.vcc-gnd.com)

Title		
Size	Number	Revision
A2		
Date:	2015-07-20	Sheet: 1 of 1
File:	IT-源地址: 板型: STM32F103VCT6	Doc: 原理图: Schematic